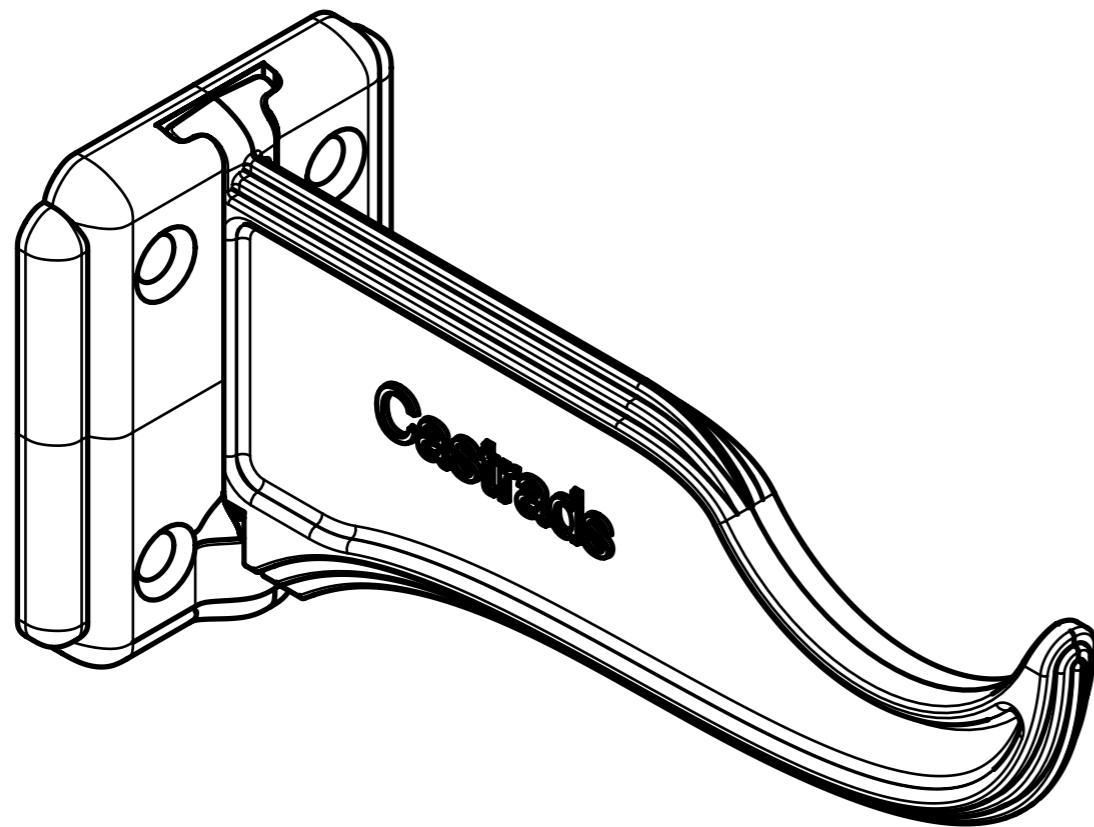
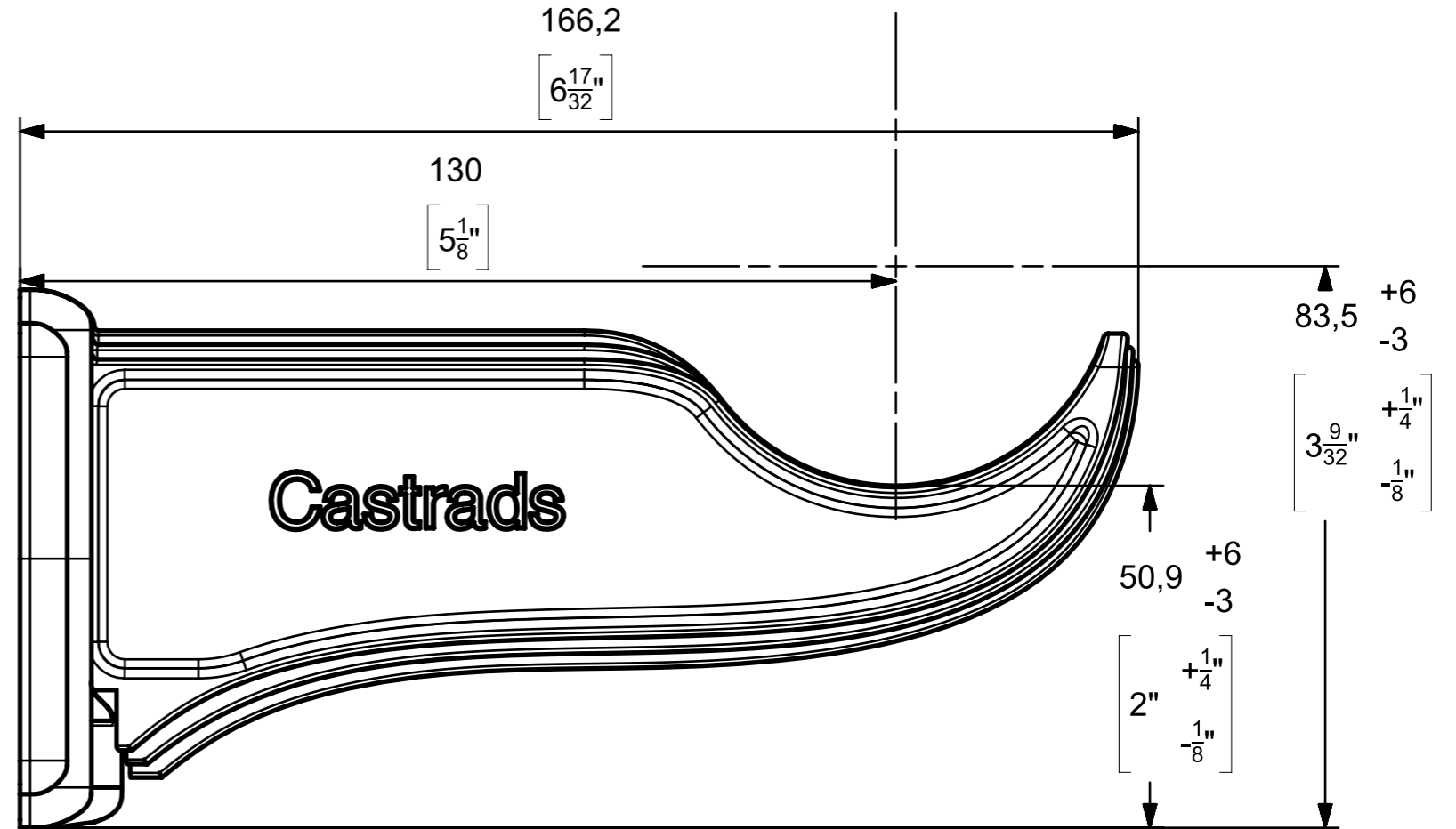
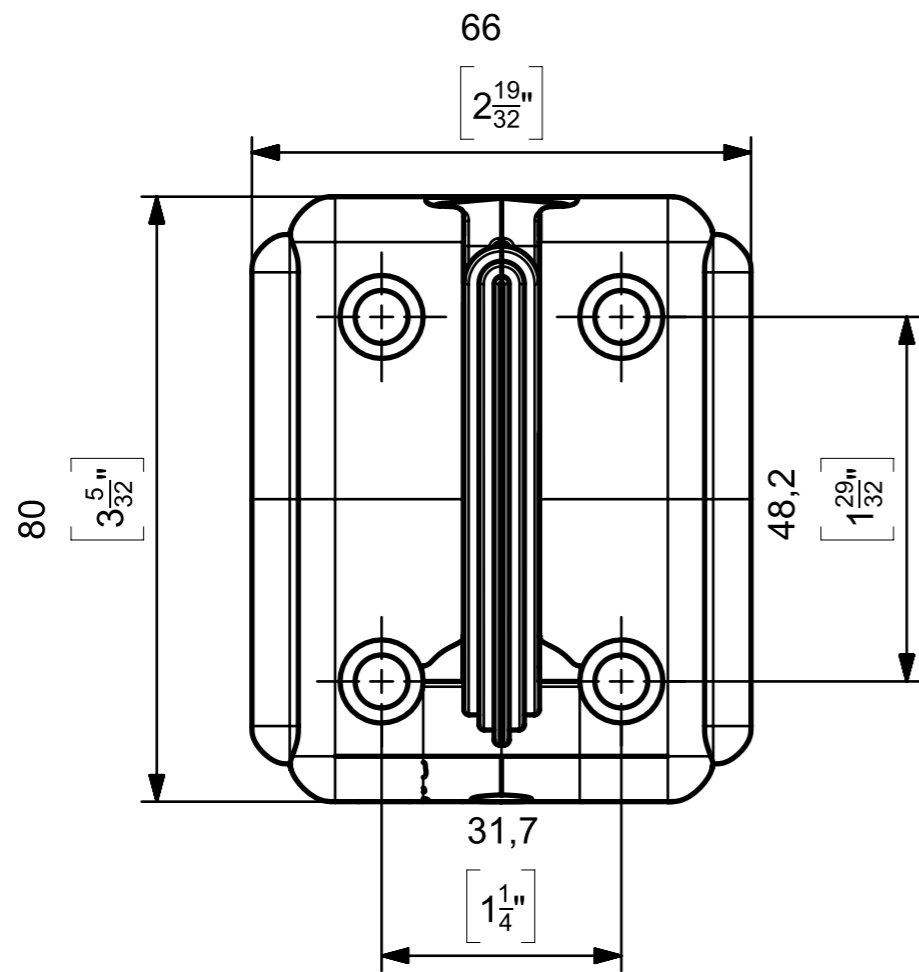


NOTES:
 DIMENSIONS ARE IN MM, DUAL DIMENSIONS IN SQUARE PARENTHESES ARE IN INCHES
 ALL CONTENT CONTAINED WITHIN THIS DOCUMENT BELONG TO CASTRADS LTD AND
 ARE NOT TO BE REPRODUCED WITHOUT WRITTEN CONSENT.



Responsible dept.	Technical reference:	Document type	Document status	Material	Weight	Scale
Product	J. Riley	Dimesnions Drawing	Public Release	Steel	KG	1:1
Castrads Est. 2006	Created by:	Title, supplementary title		ATL-WBP-130-EN		
	J. Riley	Atlas Wall Bracket - 130mm		Rev.	Date of Issue	Lang.
	Approved by:			A	10.10.2023	en
	J. Riley					Sheet
						1/1