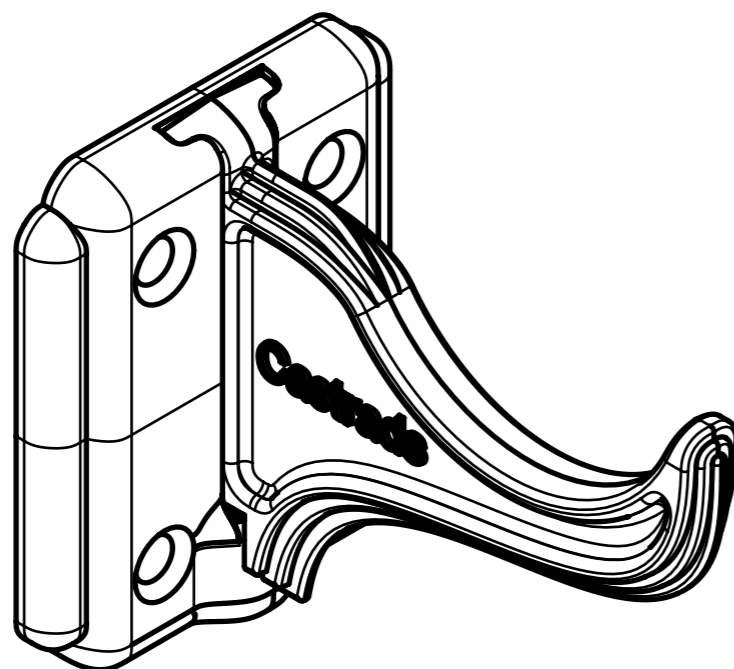
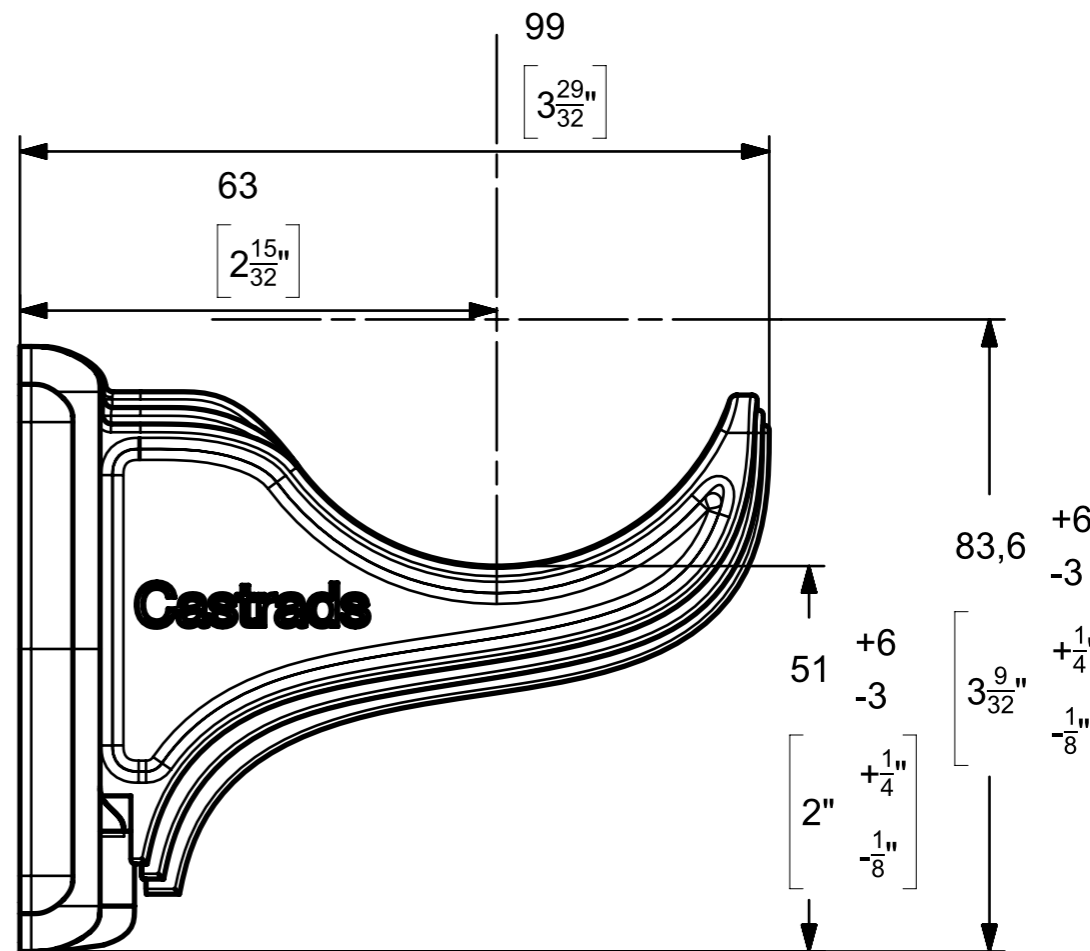
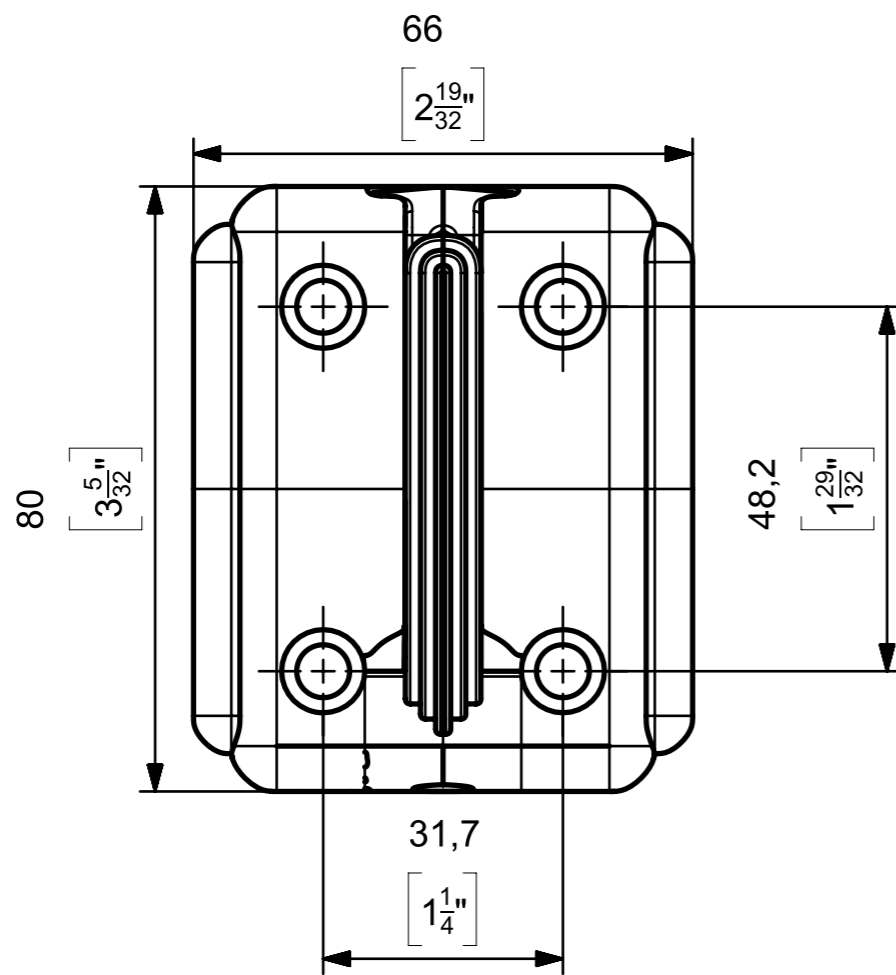


Notes
 Dual dimensions are given in millimetres followed by [inches].
 Castrads Ltd, not to be reproduced without written consent.



Responsible dept.	Technical reference:	Document type	Document status	Material	Weight	Scale
Product	J. Riley	Dimension Drawing	Public Release	Steel	KG	1:1
Castrads Est. 2006	Created by:	Title, supplementary title		ATL-WBP-63-EN		
	J. Riley	Atlas Wall Bracket - 63mm		Rev.	Date of Issue	Lang.
	Approved by:			A	10.10.2023	en
	J. Riley					Sheet 1/1