

1 2 3 4 5 6 7 8

A A

B B

C C

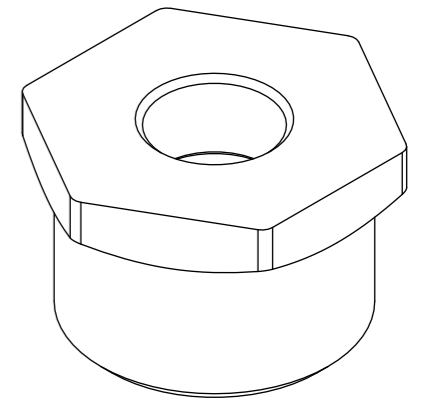
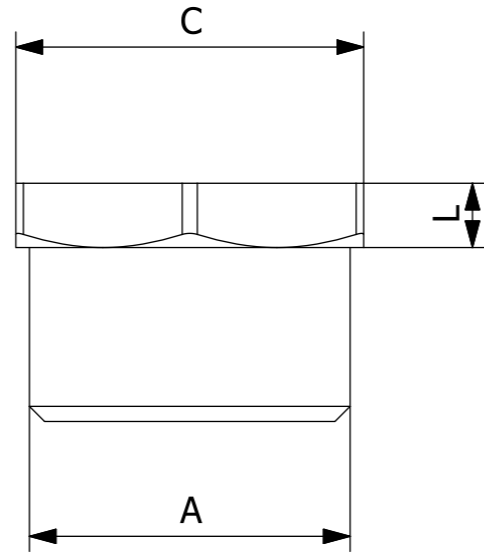
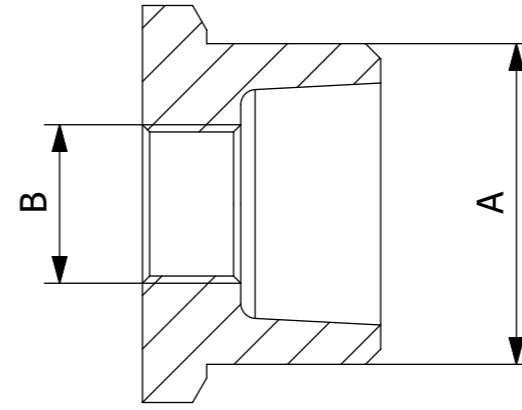
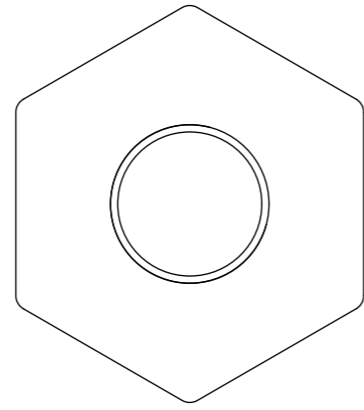
D D

E E

F F

1 2 3 4 5 6 7 8 A3

Notes
Castrads Ltd, not to be reproduced without written consent.



A (BSP)	0.25"	0.375"	0.5"	0.5"	1"	1"	1"	1.25"	1.25"	1.25"	1.5"	1.5"	1.5"	1.5"	2"	2"	2"
B (BSP)	0.125"	0.25"	0.125"	0.25"	0.25"	0.5"	0.75"	0.5"	0.75"	1"	0.25"	0.5"	0.75"	1"	0.5"	0.75"	1.5"
C (mm)	17	18	23	23	35	38	37	46	47	45	52	50	40	51	65	65	65
L (mm)	7	7	6	6	8	7	8	8.5	8.5	9	10	10	8	10	10	10	10

Responsible dept. Product	Technical reference: J. Riley	Document type Dimensions Drawing	Document status Public release	Material Black Iron	Weight KG	Scale 1:1	
Castrads <small>Est. 2006</small>	Created by: J. Riley	Title, supplementary title			BIT_dwg		
	Approved by: J. Riley	Black Iron Reducing Bush			Rev. A	Date of Issue 03.11.2023	Lang. en