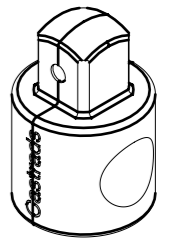
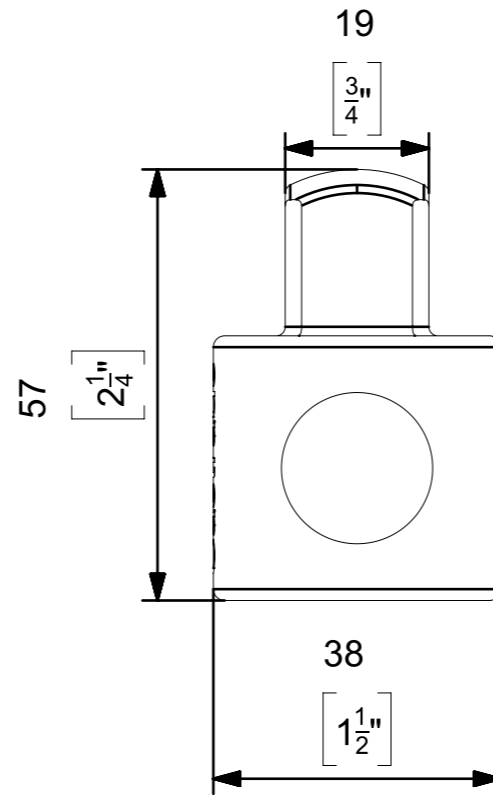


**Notes**  
 Dual dimensions are given in millimetres followed by [inches].  
 Castrads Ltd, not to be reproduced without written consent.



<b>Responsible dept.</b> Product	<b>Technical reference:</b> J. Riley	<b>Document type</b> Dimensions Drawing	<b>Document status</b> Public Release	<b>Material</b> Cast Iron	<b>Weight</b> 0,3KG	<b>Scale</b> 1:1
<b>Castrads</b> Est. 2006	<b>Created by:</b> J. Riley	<b>Title, supplementary title</b> Sliding T-bar – 3/4" drive - Slider		CR-AT-004.1-[DD]_dwg		
	<b>Approved by:</b> N. Baylis	<b>Rev.</b> A	<b>Date of Issue</b> 23.10.2023	<b>Lang.</b> en	<b>Sheet</b> 1/1	