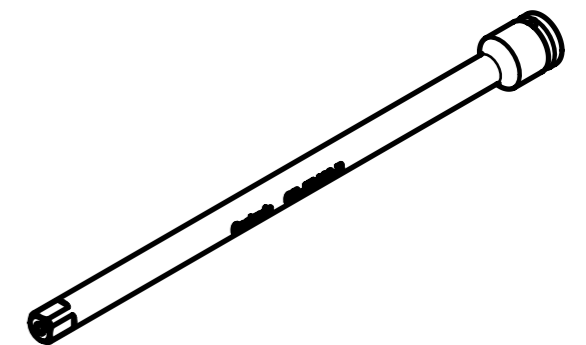
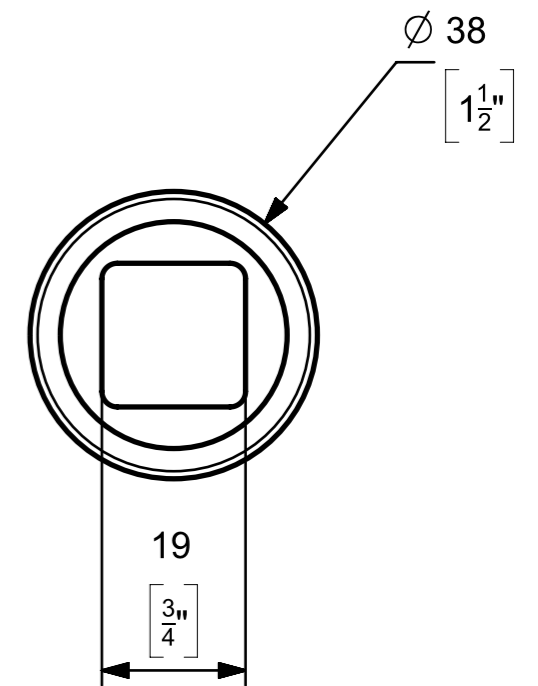
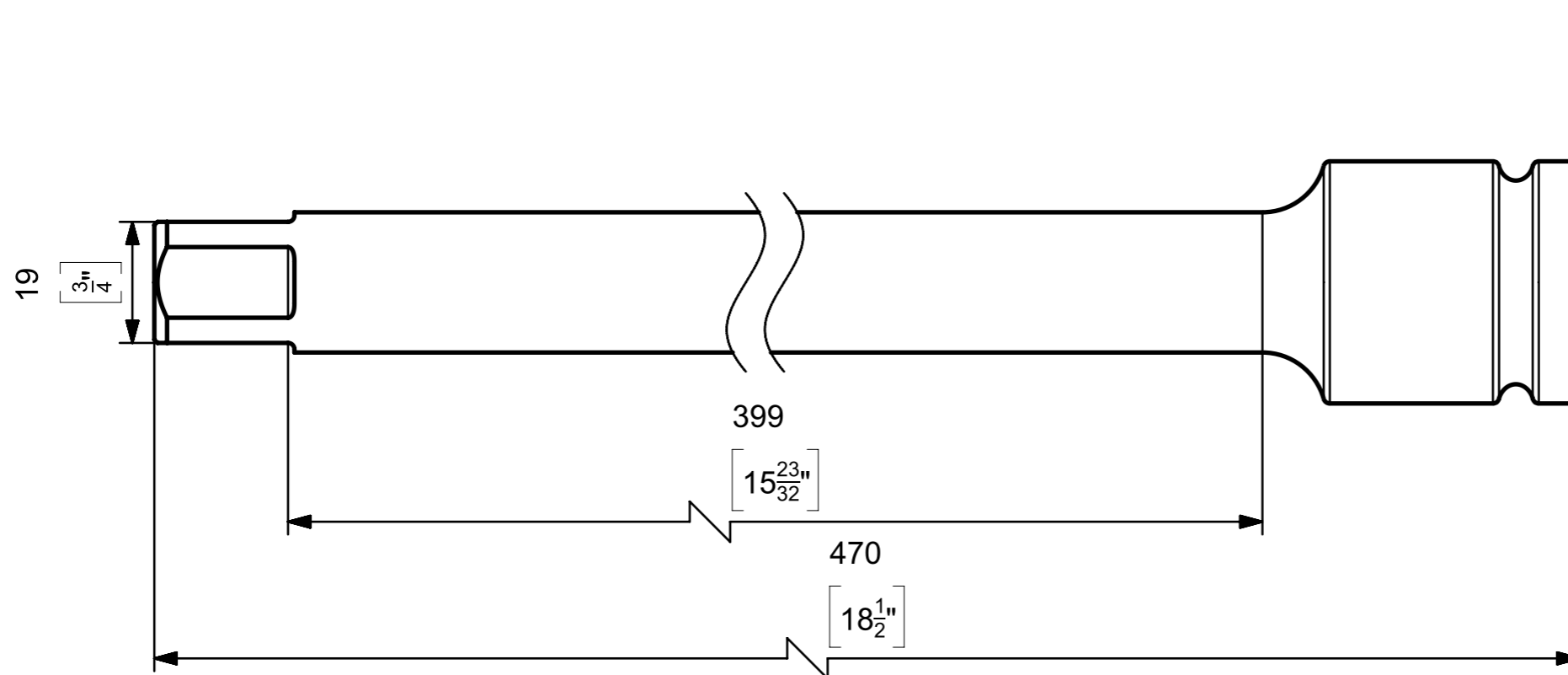


Notes
 Dual dimensions are given in millimetres followed by [inches].
 Castrads Ltd, not to be reproduced without written consent.



Responsible dept.	Technical reference:	Document type	Document status	Material	Weight	Scale
Product	J. Riley	Dimensions drawing	Public release	Steel	1.4KG	1:1
Castrads Est. 2006	Created by:	Title, supplementary title		CR-AT-102-B-[DD]_dwg		
	J. Riley					
	Approved by:	400mm extension bar		Rev.	Date of Issue	Lang.
	J. Riley			A	03.01.2024	en