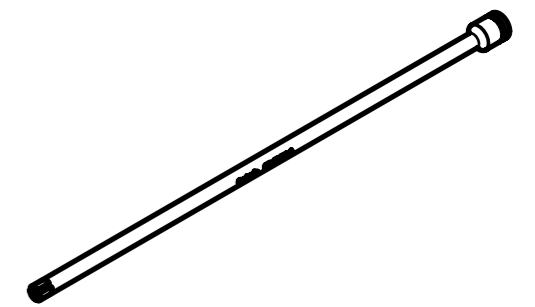
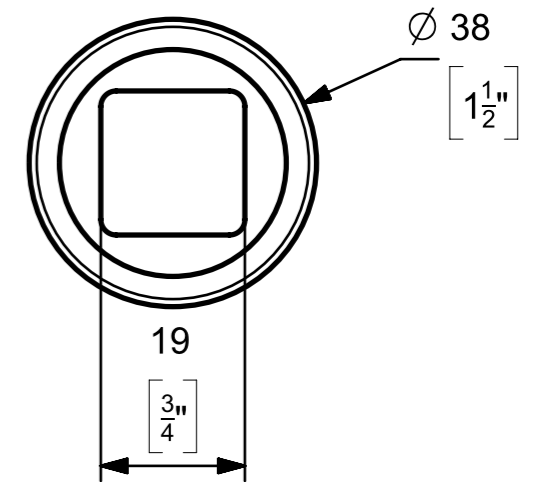
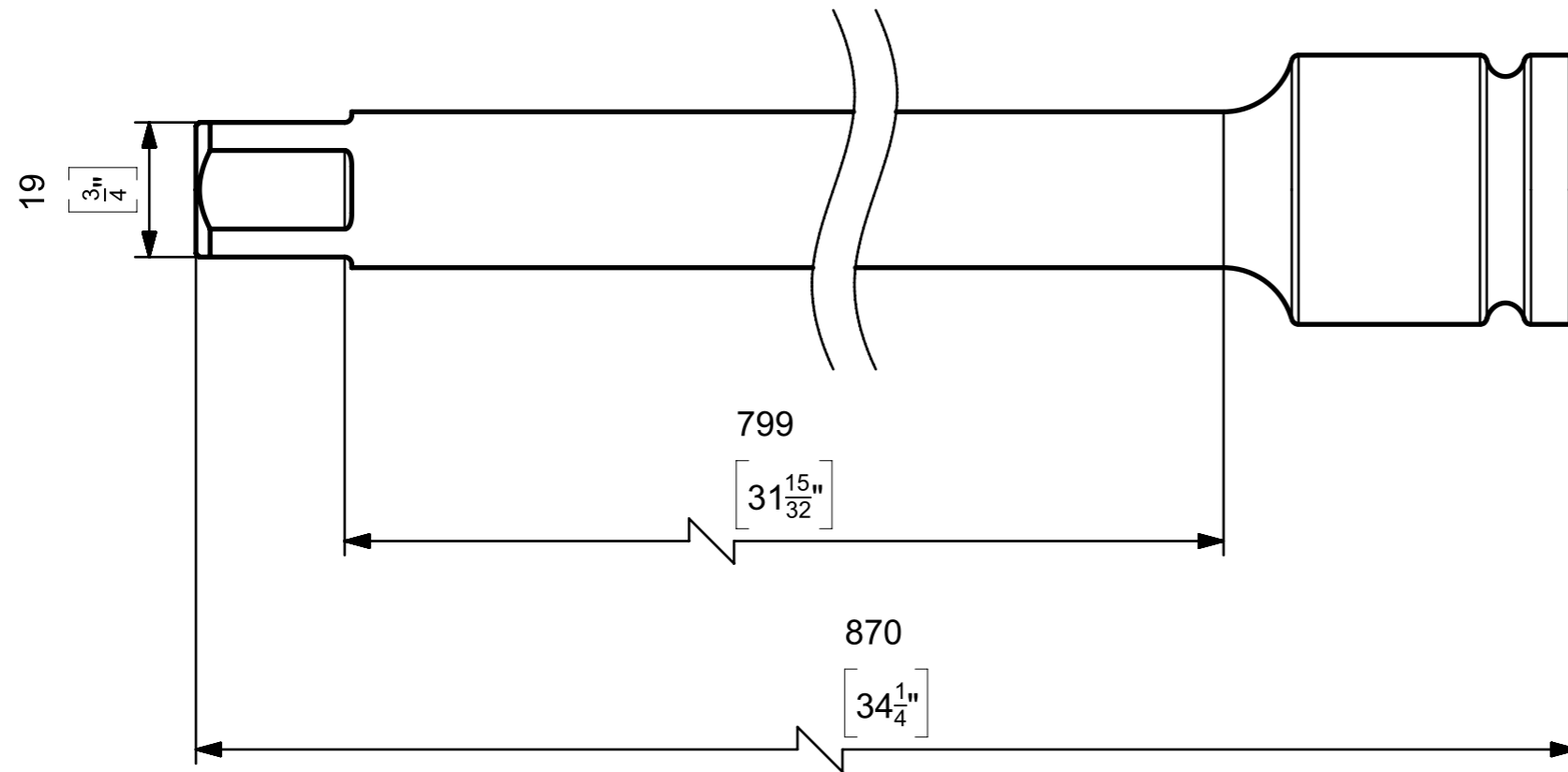


Notes
 Dual dimensions are given in millimetres followed by [inches].
 Castrads Ltd, not to be reproduced without written consent.



Responsible dept. Product	Technical reference: J. Riley	Document type Dimensions drawing	Document status Public release	Material Steel	Weight 2.6KG	Scale 1:1
Castrads Est. 2006	Created by: J. Riley	Title, supplementary title 800mm extension bar		CR-AT-102-A-[DD]_dwg		
	Approved by: J. Riley			Rev. A	Date of Issue 03.01.2024	Lang. en