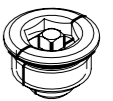
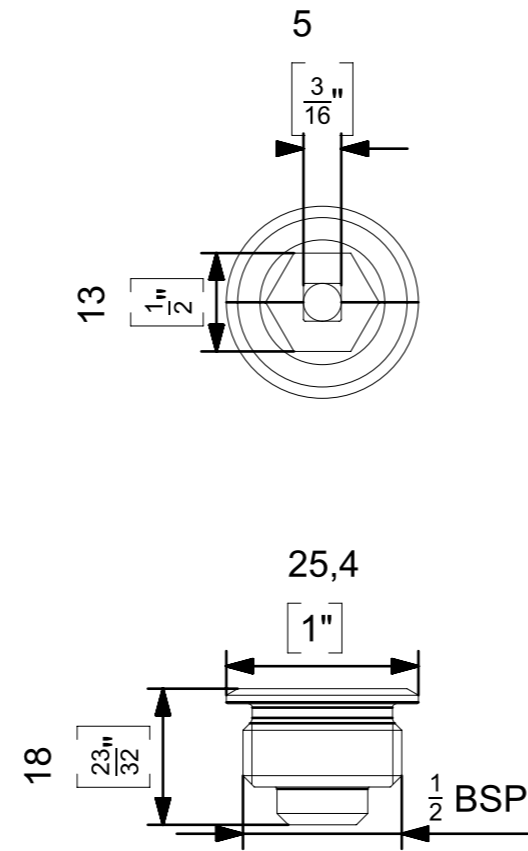


**Notes**  
 Dual dimensions are given in millimetres followed by [inches].  
 Castrads Ltd, not to be reproduced without written consent.



Responsible dept. Product	Technical reference: J. Riley	Document type Dimensions Drawing	Document status Public Release	Material Brass	Weight 0.1KG	Scale 1:1
Castrads Est. 2006	Created by: J. Riley	Title, supplementary title BVA1 Bleed Valve		BVA1_0.5-[DD]_dwg		
	Approved by: N. Baylis			Rev. A	Date of Issue 23.10.2023	Lang. en