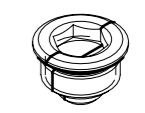
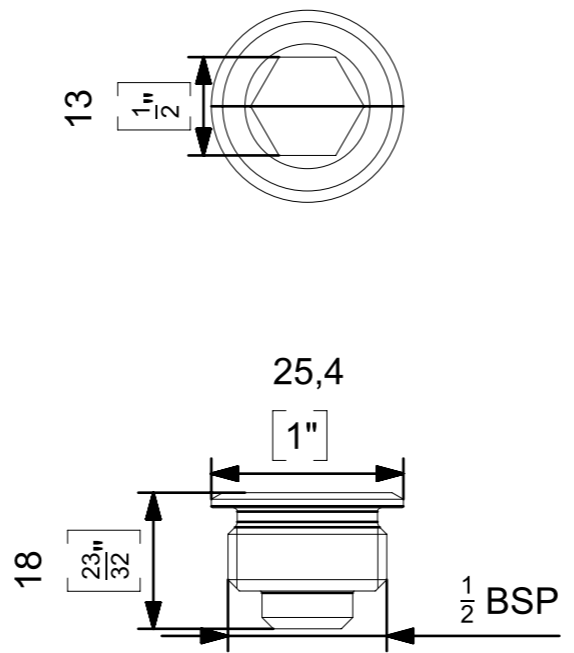


1 2 3 4 5 6 7 8

A
B
C
D
E
F

Notes
Dual dimensions are given in millimetres followed by [inches].
Castrads Ltd, not to be reproduced without written consent.



Responsible dept. Product	Technical reference: J. Riley	Document type Dimensions Drawing	Document status Public Release	Material Brass	Weight 0.1KG	Scale 1:1
Castrads <small>Est. 2006</small>	Created by: J. Riley	Title, supplementary title BVA2 Blanking Plug		BVA2_0.5-[DD]_dwg		
	Approved by: N. Baylis			Rev. A	Date of Issue 23.10.2023	Lang. en
						Sheet 1/1

1 2 3 4 5 6 7 8 A3