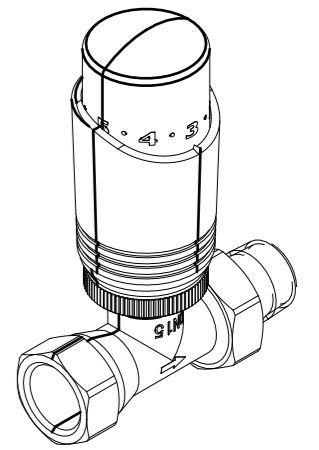
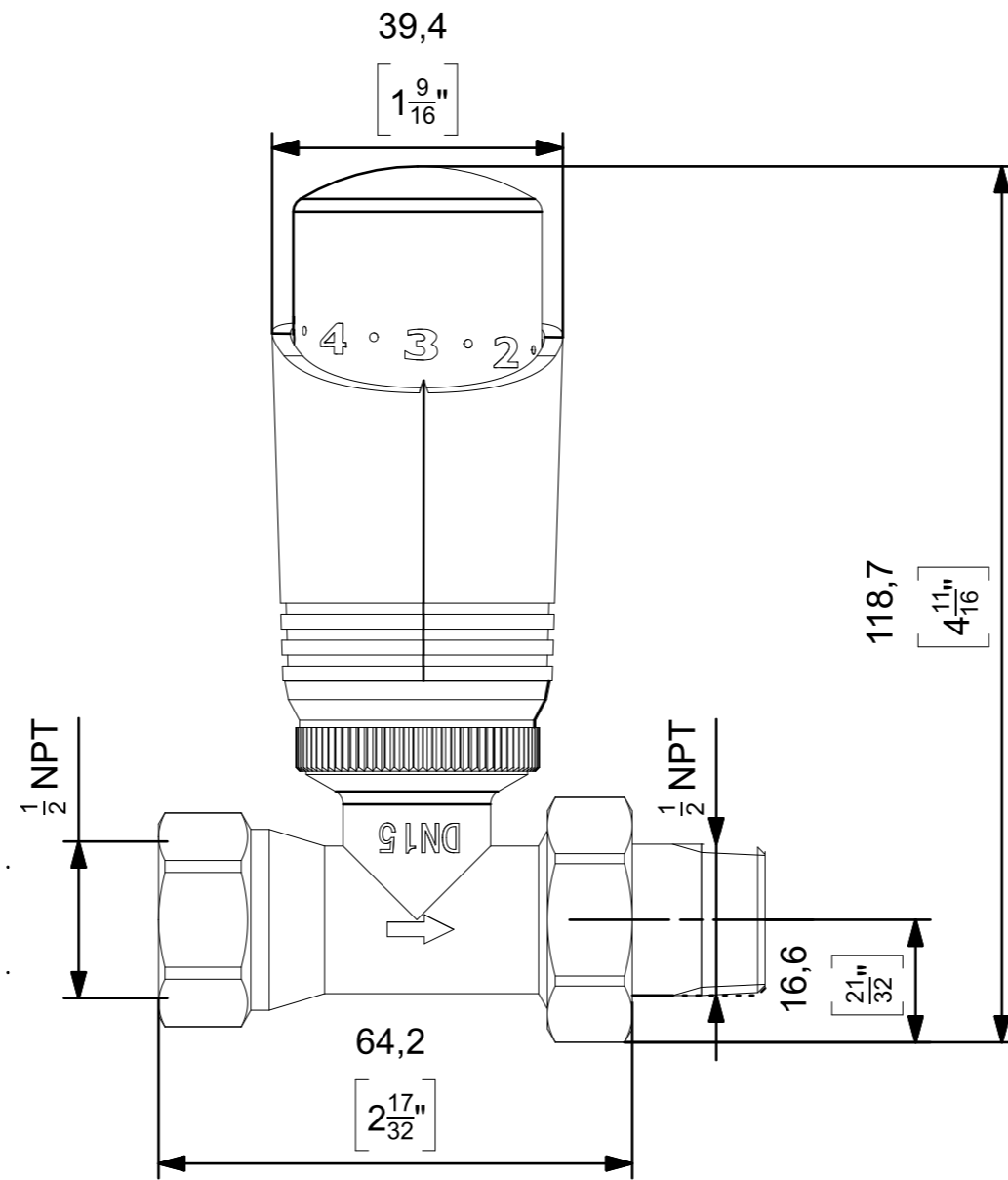


**Notes**  
 Dual dimensions are given in millimetres followed by [inches].  
 Castrads Ltd, not to be reproduced without written consent.



Responsible dept. Product	Technical reference: J. Riley	Document type Dimensions Drawing	Document status Public Release	Material Brass	Weight 0.7KG	Scale 1:1
<b>Castrads</b> Est. 2006	Created by: J. Riley	Title, supplementary title 1/2" Niva FIP Straight TRV		NIV-SCV-THD-3223-[DD]		
	Approved by: J. Riley	Rev. A	Date of Issue 11.01.2024	Lang. en	Sheet 1/1	