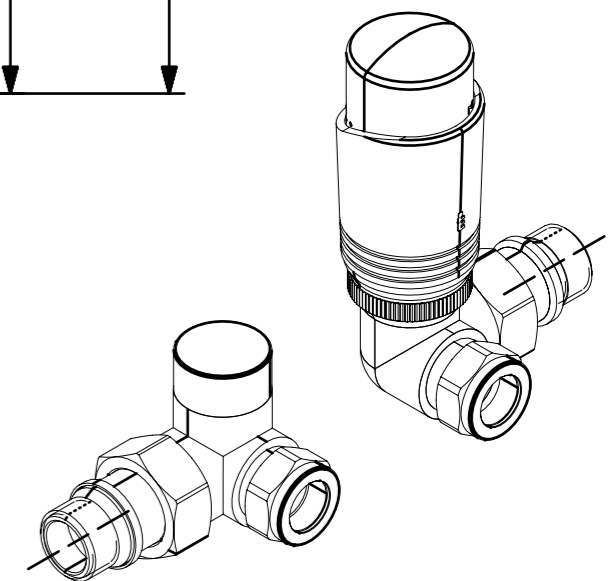
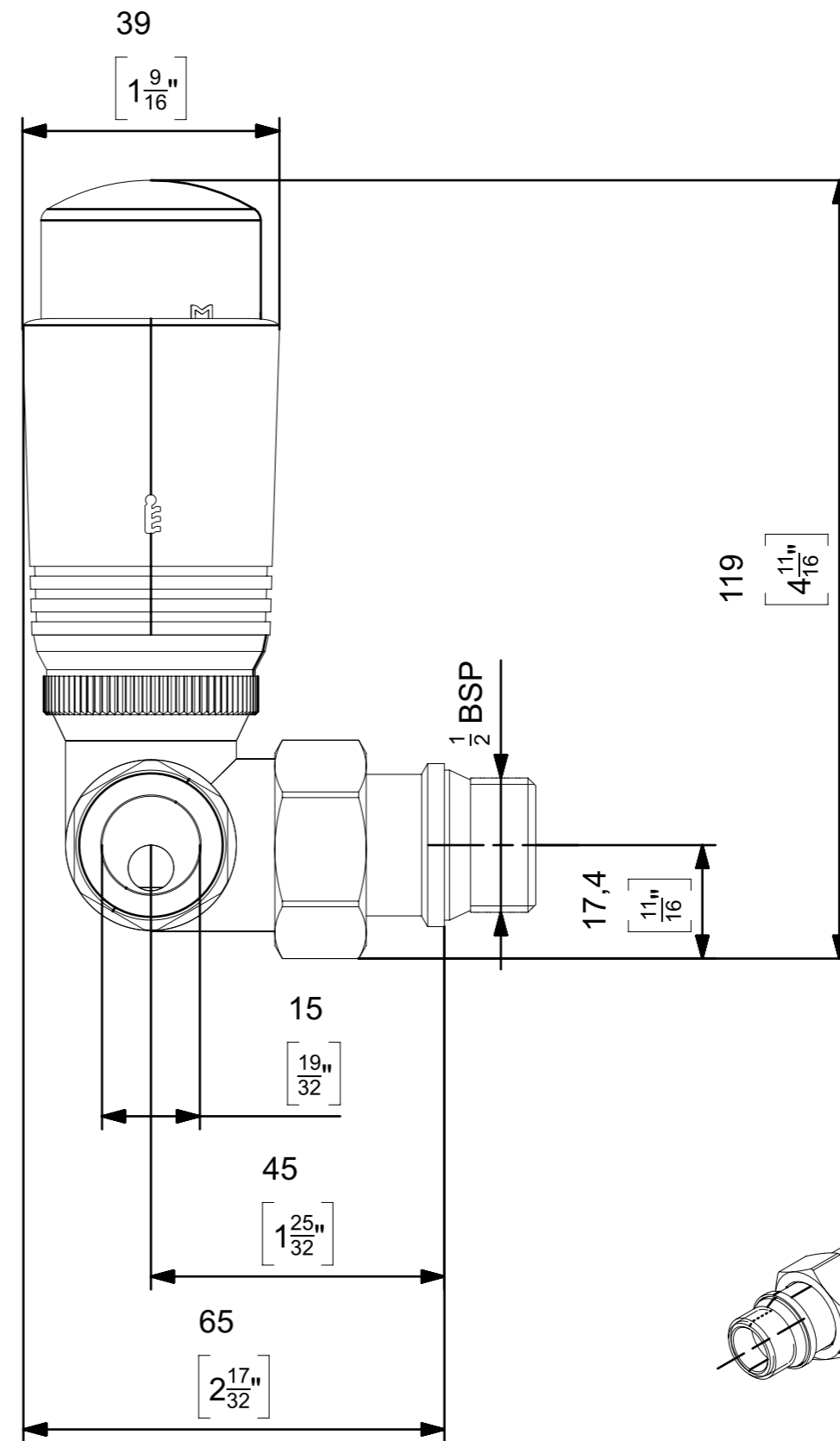
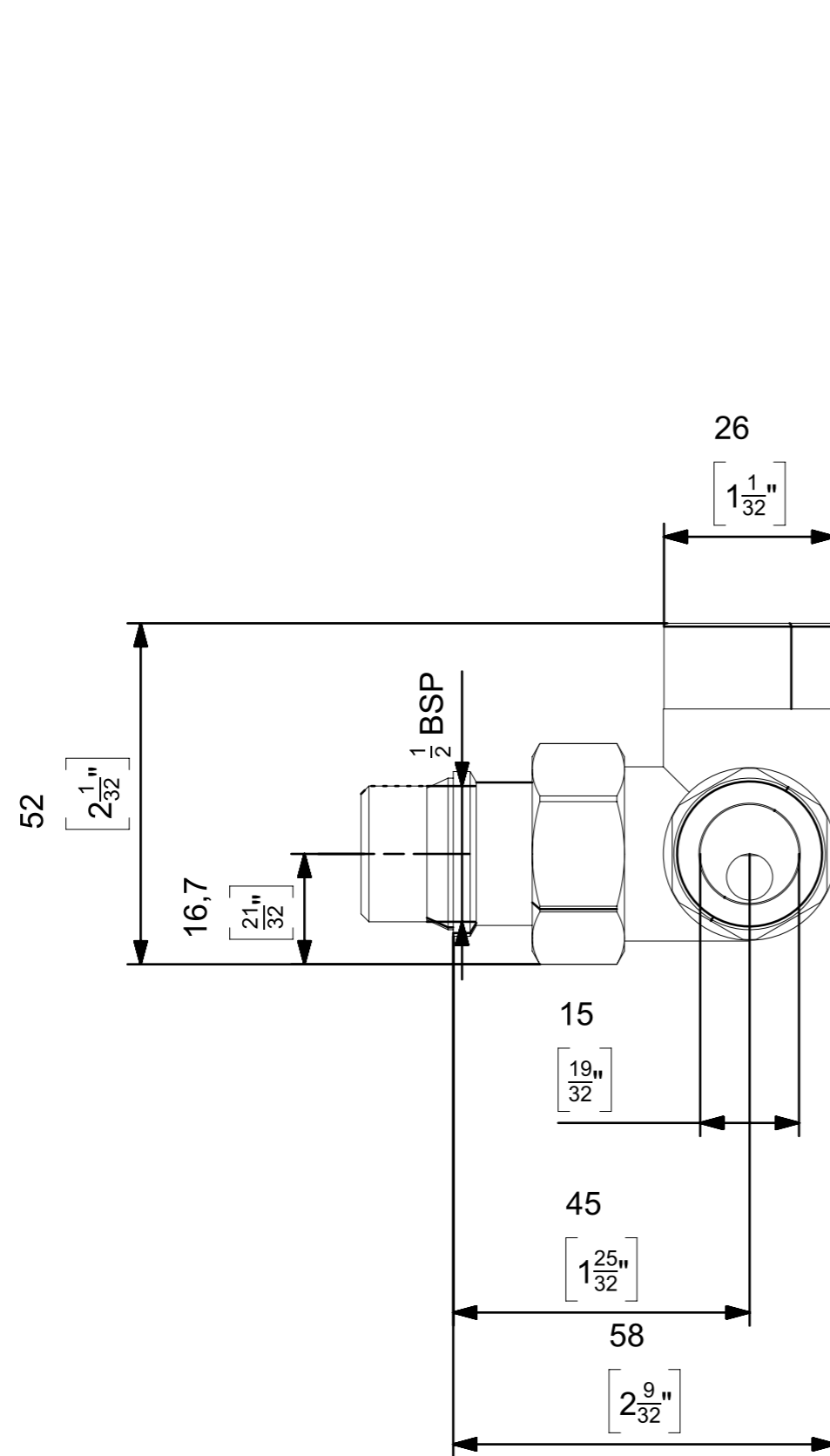


Notes
 Dual dimensions are given in millimetres followed by [inches].
 Castrads Ltd, not to be reproduced without written consent.



Responsible dept.	Technical reference:	Document type	Document status	Material	Weight	Scale
Product	J. Riley	Dimensions Drawing	Public Release	Brass	1KG	1:1
Castrads Est. 2006	Created by:	Title, supplementary title		NIV-TLP-3112-[DD]_dwg		
	Approved by:	1/2" Niva Corner TRV - Control Valve		Rev.	Date of Issue	Lang.
	N. Baylis			A	23.10.2023	en
						Sheet
						1/1