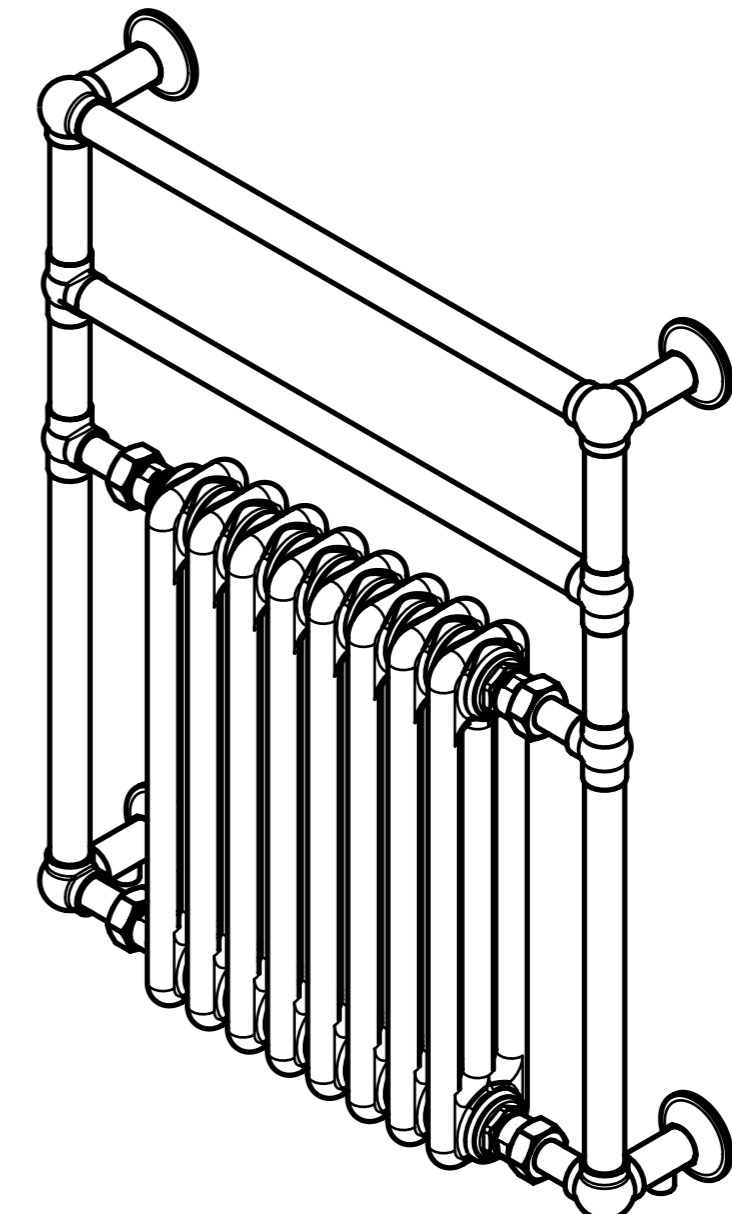
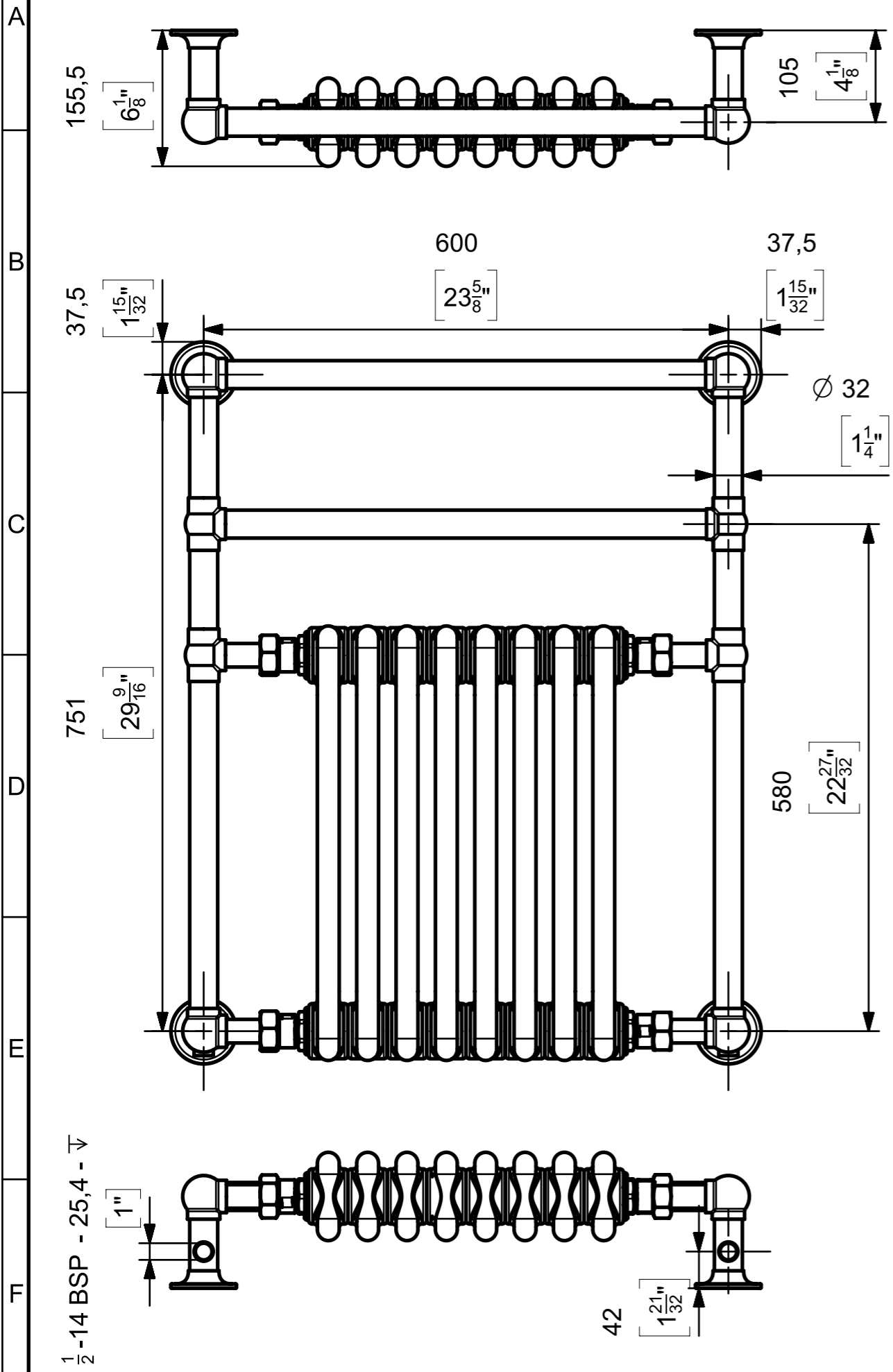


**Notes**  
 Dual dimensions are given in millimetres followed by [inches].  
 Castrads Ltd, not to be reproduced without written consent.



$\frac{1}{2}$ -14 BSP - 25,4 -  $\nabla$

Responsible dept.	Technical reference:	Document type	Document status	Material	Weight	Scale
Product	J. Riley	Dimensions Drawing	Public Release	Steel	KG	1:6
<b>Castrads</b> Est. 2006	Created by:	Title, supplementary title		VIV-WM-825x675-EN		
	J. Riley					
	Approved by:	Vivien 8 Shallow - Wall Mounted		Rev.	Date of Issue	Lang.
	J. Riley			A	09.10.2023	en